

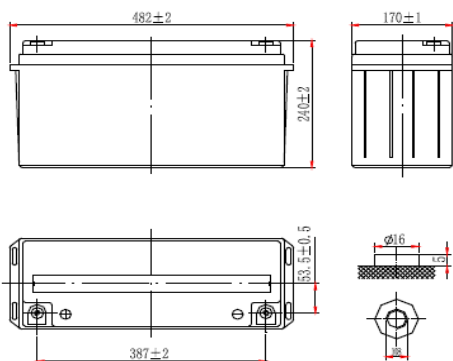
RPower OGiV121500LP (12V 150Ah AGM Battery)



Floating Life at 20°C designed for 10-12 years

EAN: 4260349823463

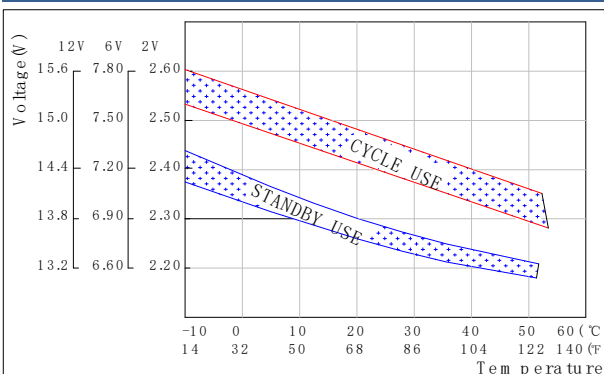
Dimensions



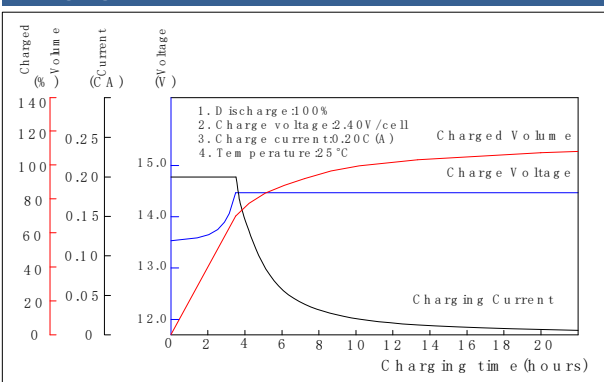
Specifications

Nominal Voltage		12V
Capacity (10hr@25°C@1.80V/C)		150Ah
Dimensions	Length	482mm (19.0inch)
	Width	170mm (6.69inch)
	Height	240mm (9.45inch)
	Total Height	240mm (9.45inch)
Approx. Weight		44.80kg (98.77lbs)
Maximum charging current		45.0A
Maximum discharge current		970A (5sec.)
Internal resistance		Approx. 3.1mΩ
Capacity affected by temperature (20hr)	40°C	103%
	25°C	100%
	0°C	86%
	-15°C	65%
Self-discharge (25°C)	3 month	Remaining Capacity: 91%
	6 month	Remaining Capacity: 82%
	12 month	Remaining Capacity: 65%
Nominal operating temperature		25°C ±3°C (77°F±5°F)
Operating temperature range		-20°C~55°C (-4°F~131°F)
Float charging voltage (25°C)		13.65 to 13.80V
Cyclic charging voltage (25°C)		14.40 to 15.00V
Terminal material		Copper

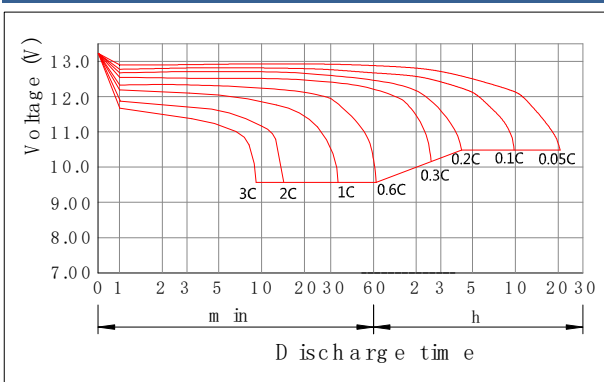
The Relationship for Charging Voltage and Temperature



Charging Characteristics (25°C)



Discharge Characteristics (25°C)



Constant Current Discharge Characteristics (Ampere / Battery, 25°C)

FV / TIME	5min	10min	15min	20min	30min	45min	1h	2h	3h	4h	5h	6h	8h	10h	20h
10.98V	--	265,78	223,10	176,54	148,41	104,76	84,58	51,02	35,60	31,04	22,99	21,05	17,07	14,55	7,64
10.80V	--	274,00	230,00	182,00	153,00	108,00	87,20	52,60	36,70	32,00	23,70	21,70	17,60	15,00	7,88
10.50V	--	285,00	239,00	195,00	158,00	113,00	89,20	53,80	37,40	32,40	24,50	22,00	17,90	15,10	7,93
10.20V	--	303,00	254,00	207,00	167,00	116,00	94,10	55,90	39,30	32,80	25,30	22,50	18,10	15,20	7,98
9.90V	--	322,00	268,00	210,00	177,00	119,00	98,70	56,90	41,10	33,20	26,40	22,90	18,30	15,30	8,03
9.60V	--	340,00	283,00	224,00	186,00	121,00	103,00	57,90	42,90	33,70	27,60	23,40	18,60	15,40	8,07

Constant Power Discharge Characteristics (Watt / Battery, 25°C)

FV / TIME	5min	10min	15min	20min	30min	45min	1h	2h	3h	4h	5h	6h	8h	10h	20h
10.98V	--	2997,30	2531,70	2048,64	1664,52	1233,84	989,40	568,03	414,97	350,95	284,02	240,37	190,31	158,89	83,23
10.80V	--	3090,00	2610,00	2112,00	1716,00	1272,00	1020,00	585,60	427,80	361,80	292,80	247,80	196,20	163,80	85,80
10.50V	--	3222,00	2712,00	2160,00	1782,00	1320,00	1044,00	606,00	439,80	368,40	300,00	253,20	200,40	167,40	87,60
10.20V	--	3360,00	2820,00	2220,00	1848,00	1362,00	1068,00	624,00	451,20	375,00	306,00	258,60	204,00	171,00	88,80
9.90V	--	3498,00	2922,00	2310,00	1908,00	1404,00	1092,00	642,00	463,20	379,80	314,40	263,40	207,60	173,40	91,20
9.60V	--	3630,00	3030,00	2460,00	1974,00	1446,00	1116,00	654,00	475,20	385,80	322,20	270,60	214,80	176,40	91,80