

■ Datasheet: Neutral Conductor Feed-through Mod. + Test terminal, 63A, 1 MW



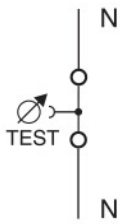
■ SCHRACK-INFO

- With integrated test socket 4mm Ø, 10 A
- Terminal capacity: 1-25 mm²
- 1 MW wide

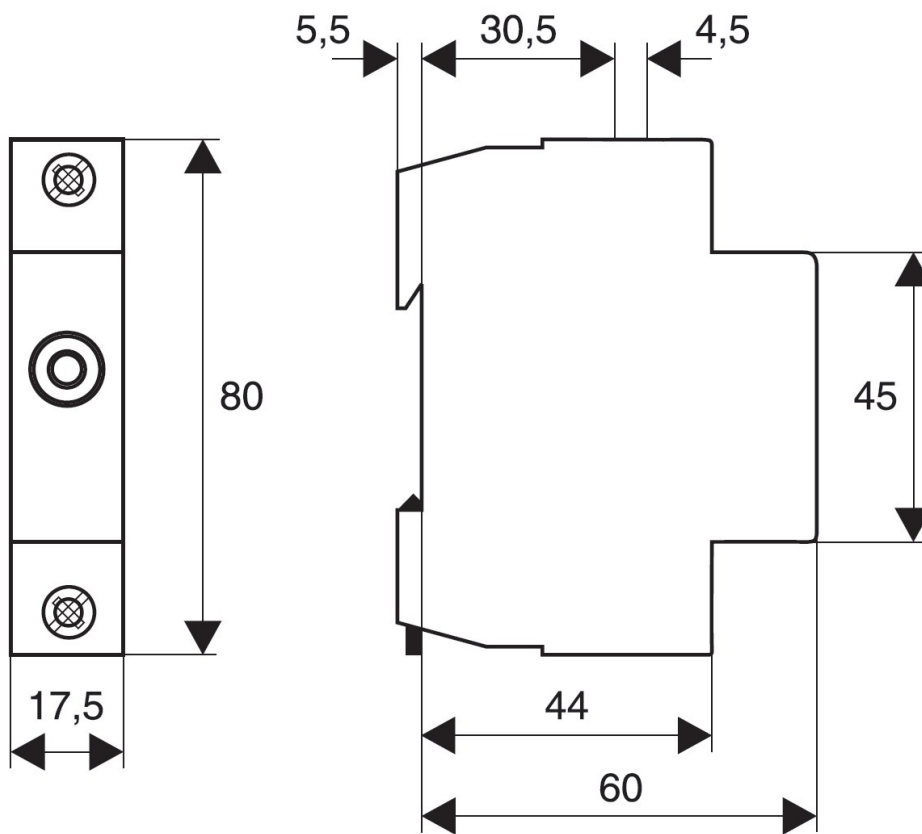
■ Technical datas

Rated current	63 A
Rated current test socket	10 A
Frequenzy	50-60 Hz
Power loss	1,1 W
Module wide	1 MW
Installation width	17,5 mm
Front - Cap dimension	45 mm
Device height	80 mm
Mounting	Tristable latch slide for DIN rail according to EN 50022
Protection class	IP20
Protection class installed	IP40
Terminals	
top	Clamp/lift terminal
bottom	Clamp/lift terminal
Terminal protection	Finger and hand touch safe, BGV A3, ÖVE-EN 6
Material thickness busbar	0,8 - 2 mm
Terminal cross-section	
top	1-25 mm ²
bottom	1-25 mm ²
Terminal screw torque	2 - 2,4 Nm

Wiring diagram



Dimensions



Articles

Description	Orderno.
Neutral Conductor Feed-through Mod. + Test terminal, 63A, 1MW	BS900010--