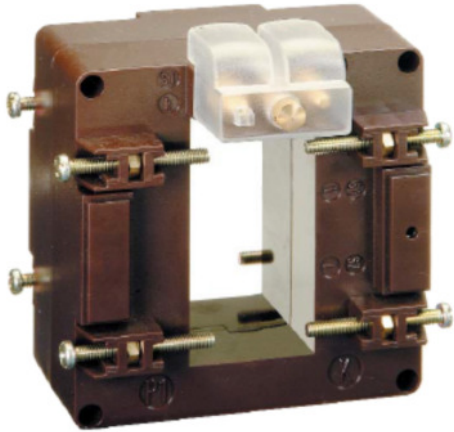


DATA SHEET: Current Transformer 80 x 30 mm, 1000 A-2500 A



SCHRACK-INFO

- Passing bus bar primary  
Single-phase current transformer
- Primary current 1000...2500A
- Secondary current 5A

TECHNICAL DATA:

REFERENCE STANDARDS

EN60044-1, BS3938, BS7626

SPECIFICATIONS

Rated primary current $I_{pr}$ :	1000A, 1500A, 2000VA, 2500VA
Rated frequency:	50Hz
Working frequency:	47 - 63Hz
Rated continuous thermal current according to EN60044-1 ( $I_{cth}$ )	
Rated short-time thermal current $I_{th}$ :	$< 60I_{pr}$
Rated dynamic current $I_{dyn}$ :	$2,5I_{th}$
Instrument security factor (FS):	$\leq 5$
Rated secondary current $I_{sr}$ :	5A
Rated burden:	1,5...12VA (see table)
Accuracy class:	0,5 - 1 (see table)
Max. power dissipation	
for switchboard thermal calculation:	$\leq 19W$ at $I_{cth}$
The allowed max cable or busbar temp is:	125°C

## INSULATION REQUIREMENTS

Dry transformer, air insulation	
Highest voltage for equipment $U_m$ :	0,72kV r.m.s.
Rated insulation level:	3kV r.m.s. 50Hz/1min
Class of insulation (EN60044-1):	B

## ENVIRONMENTAL CONDITIONS

Non-exposed installation (EN60044-1)	
Reference temperature:	23°C ± 1°C
Nominal temperature range:	- 25...50°C
Daily mean temperature:	≤ 30°C
Limit temperature range for storage:	- 40...85°C
Relative humidity:	≤ 85% (Suitable for tropical climates)

## HOUSING

Housing material:	self extinguishing polycarbonate classification V0 according to UL-94
Protection degree (EN60529):	IP00 terminals IP20 with terminal cover with shroud
Mounting:	Fixing screw facilities for bar
Weight:	700 grams

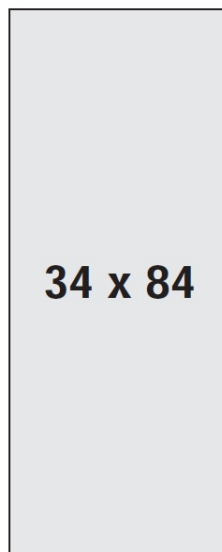
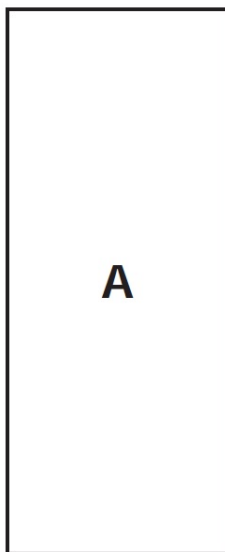
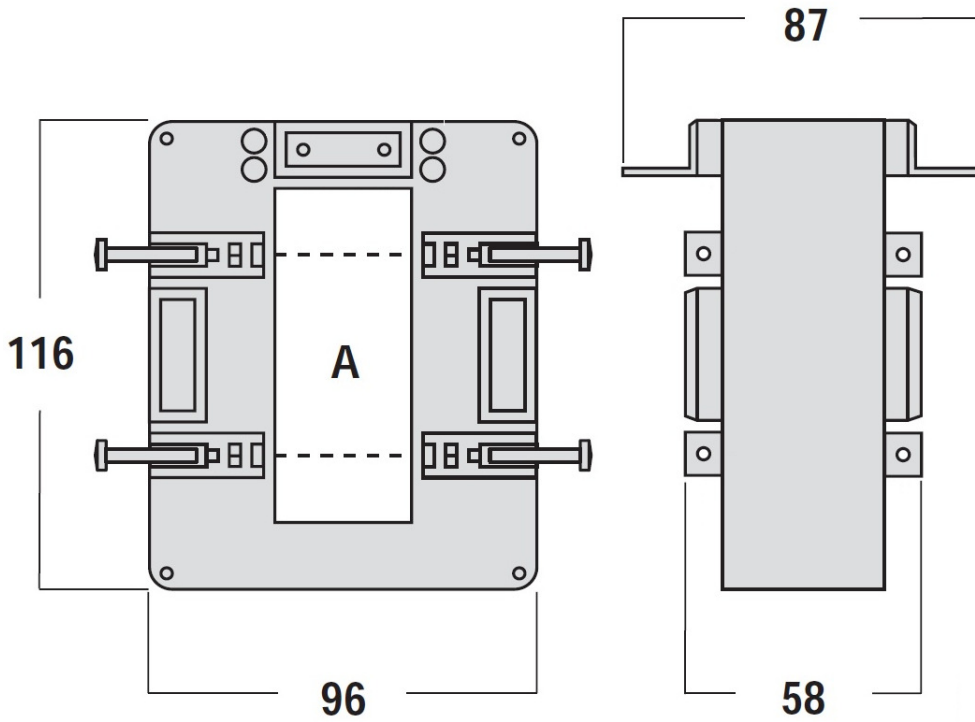
## CONNECTIONS

Secondary winding:	tightening by nut M4
--------------------	----------------------

## RATED BURDEN

Type:	Accuracy class		
	Class 0,5	Class 1	Class 3
1000/5A	10VA	15VA	20VA
1500/5A	15VA	20VA	25VA
2000/5A	20VA	25VA	30VA
2500/5A	25VA	30VA	40VA

**■** DIMENSIONS:



■ ATTENTION:

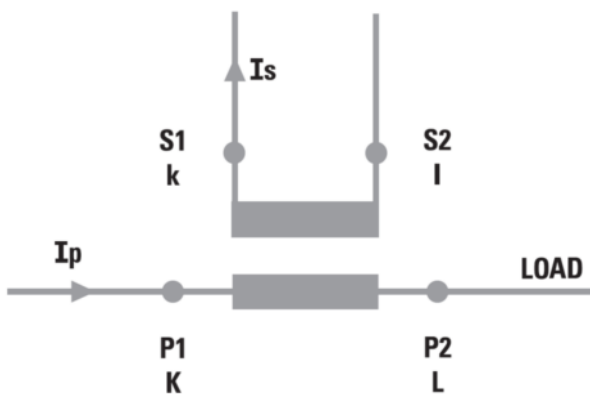
Working time guaranteed with secondary winding open for 1 minute Current transformers should not be operated with the secondary winding open-circuited because of the potentially dangerous over-voltages and overheating which can occur (EN 60044-1/A2).

To obviate this problem, it is possible to use accessory to be directly connected with the transformer secondary winding, which is able to continuously detect the terminal voltage and, if the voltage reaches the

threshold value (18V) owing to a connection breakdown or disconnection of the devices, automatically closes again the circuit.

When the normal working conditions are restored, it automatically disconnects. Continuously connected with the secondary winding of the transformer to protect, it doesn't affect at all the current transformer features or performances. It doesn't need any external supply (self-supplied).

■ WIRING DIAGRAM:



■ ARTICLES:

Current Transformer 1000/5A 80X30	MG958100-A
Current Transformer 1500/5A 80X30	MG958150-A
Current Transformer 2000/5A 80X30	MG958200-A
Current Transformer 2500/5A 80X30	MG958250-A